

H.264 Encoder Designed for Pro AV System Integration

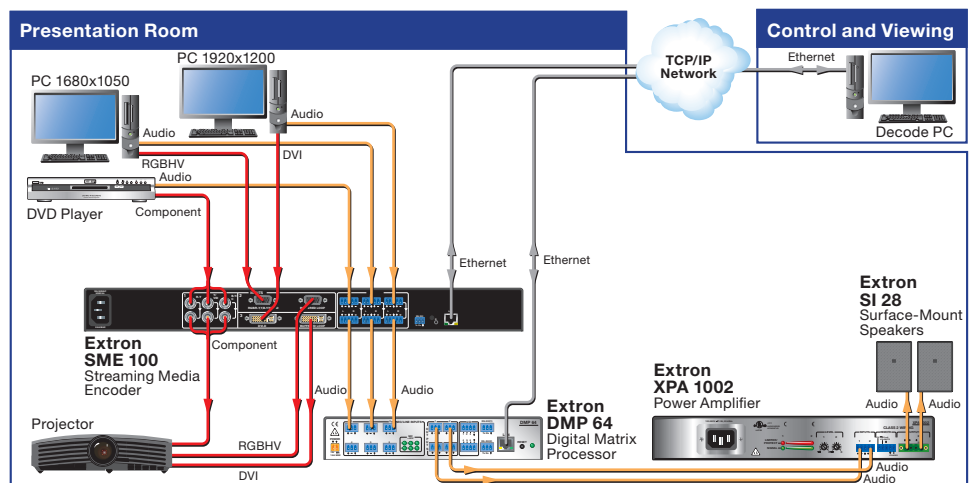


Extron SME 100

The Extron SME 100 is not like any live streaming encoder on the market today. It is designed specifically to support a wide variety of video formats required in pro AV applications, and features integrated switching with loop-throughs for easy integration into pro AV systems. The SME 100 interfaces with DVI, RGB, HDTV, and standard definition sources, and employs standards-based H.264 / MPEG-4 AVC encoding to output an IP stream that can easily be decoded and viewed on desktop or laptop PCs. High performance Extron signal processing scales and optimizes video input signals for the intended viewing application. The SME 100 is the pro AV integrator's ideal choice for delivering AV media over networks.

Key Features:

- Streams DVI, RGB, HDTV, and video signals with audio over IP networks
- Standards-based H.264 / MPEG-4 AVC video compression
- Integrated three-input AV switcher
- Buffered input loop-throughs for video and audio
- Supports input signal resolutions up to 1920x1200, including HDTV 1080p/60
- DVI, RGB, HDTV, and standard definition video upscaling and downscaling
- Selectable streaming output resolutions from 166x120 to 1024x768, and HDTV 720p/30 and 1080p/30
- Adjustable encoder bit rate and quality



Extron

www.extron.com/sme100